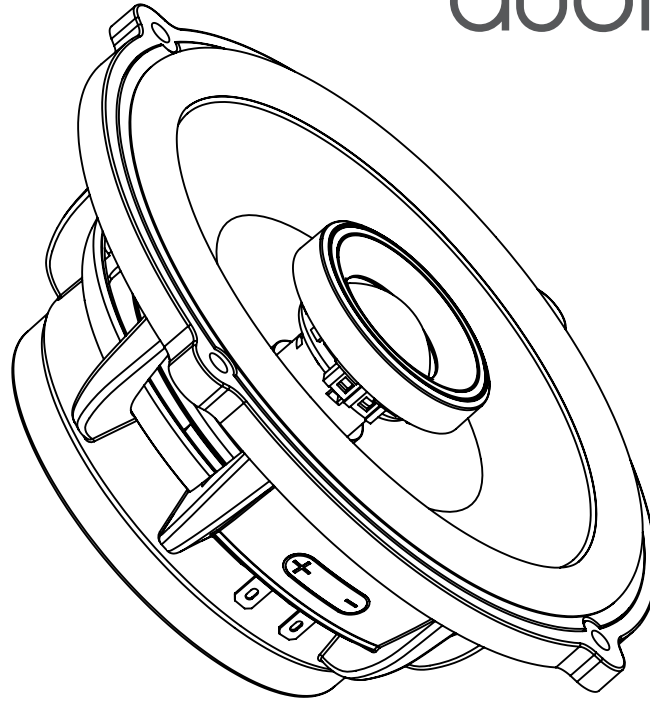


GS42
GS62
GS682
GS693

Instruction Manual
Mode d'emploi
Manual de instrucciones
Bedienungsanleitung
руководство по
эксплуатации
manual de Instruções
Manuale di istruzioni
Käyttöohje
Gebruiksaanwijzing
Bruksanvisning
Instruktionsbog
Kullanma Kılavuzu
Instrukcja obsługi
Manual Pemilik
使用说明书

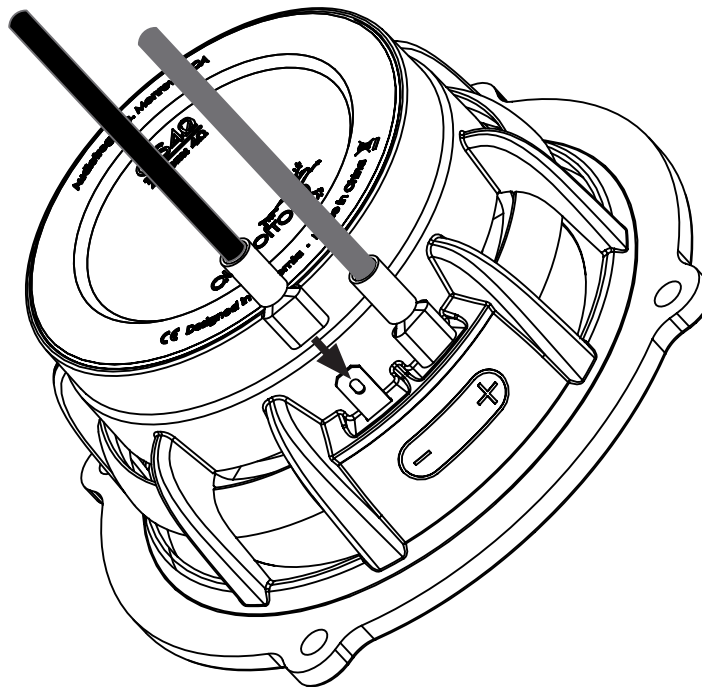


audiofrog 

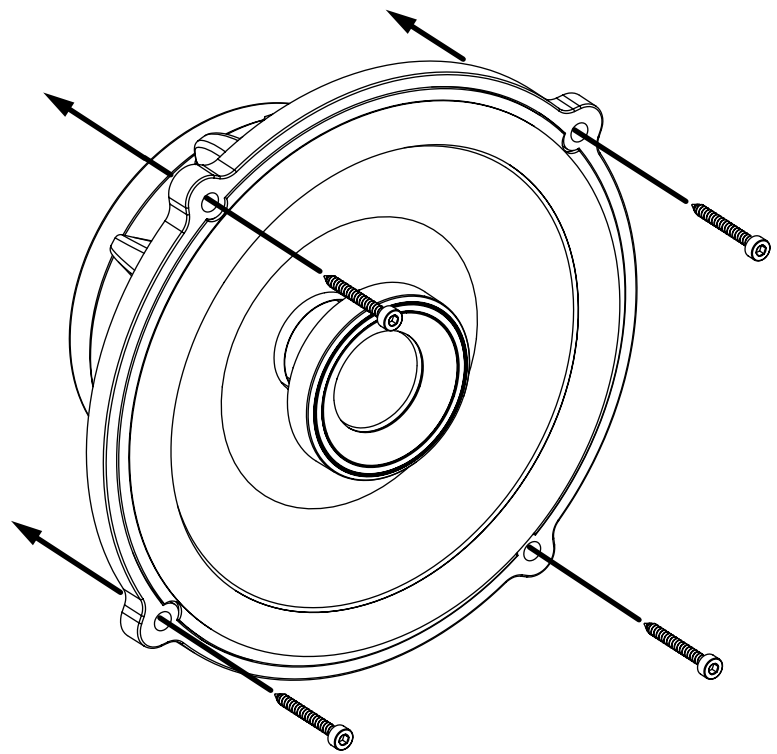
GS42
GS62
GS682
GS693



Do not solder wires directly to the terminals!
Ne soudez pas directement aux bornes!
No soldar los cables directamente a los terminales!
Löten Sie keine Drähte direkt an die Klemmen!
Не припаять провода непосредственно к клеммам!
Não solde os fios diretamente nos terminais!
Non saldare i fili direttamente ai terminali!
Älä juota johtoja suoraan liittimiin!
Laat draden niet direct solderen op de klemmen!
Löd inte kablar direkt till terminalerna!
Lod ikke ledninger direkte til terminalerne!
Terminallerine doğrudan telleri lehim yapmayın!
Nie lutować przewodów bezpośrednio do zacisków!
Jangan solder kabel langsung ke terminal!
不要直接焊接导线的接线端子！

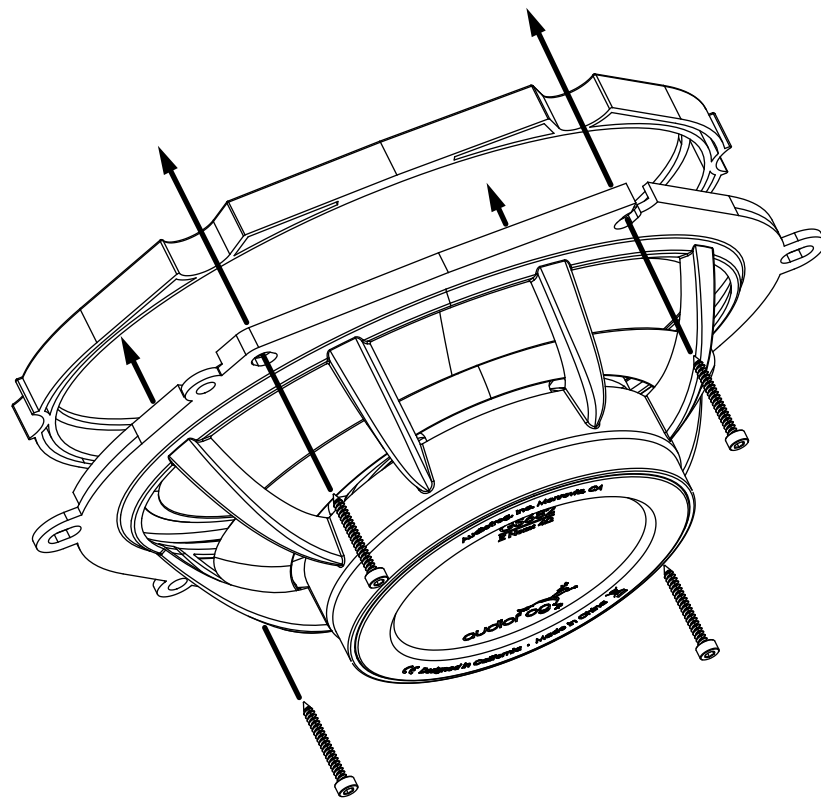


GS42
GS62
GS682
GS693

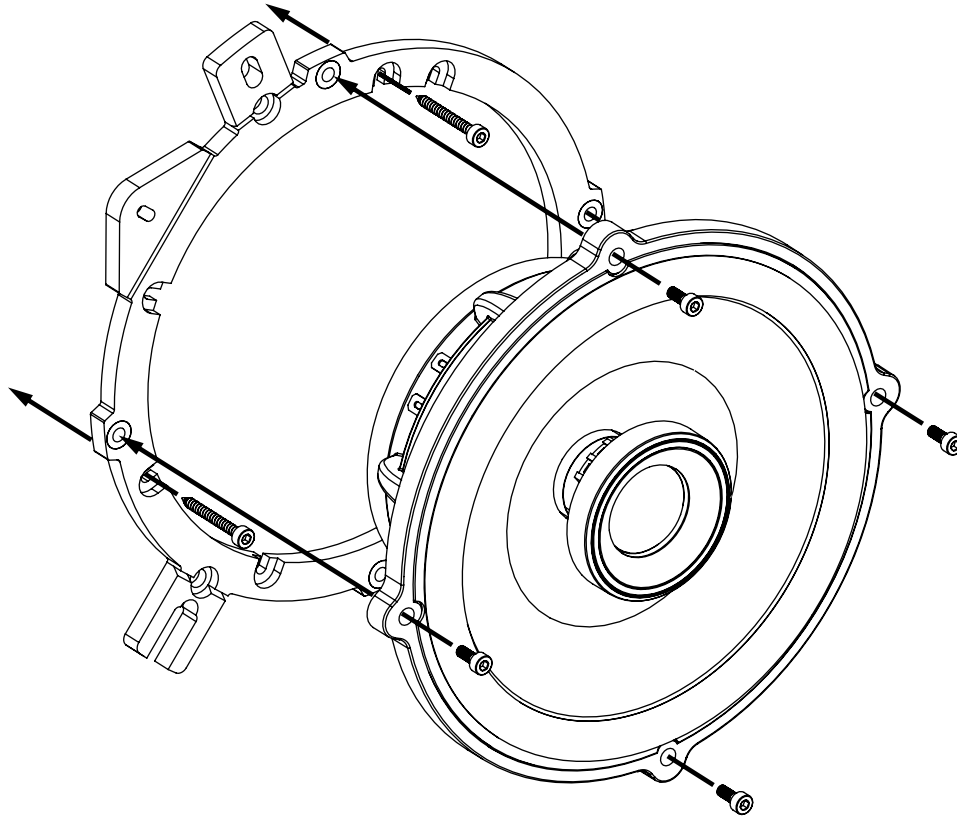


GS682

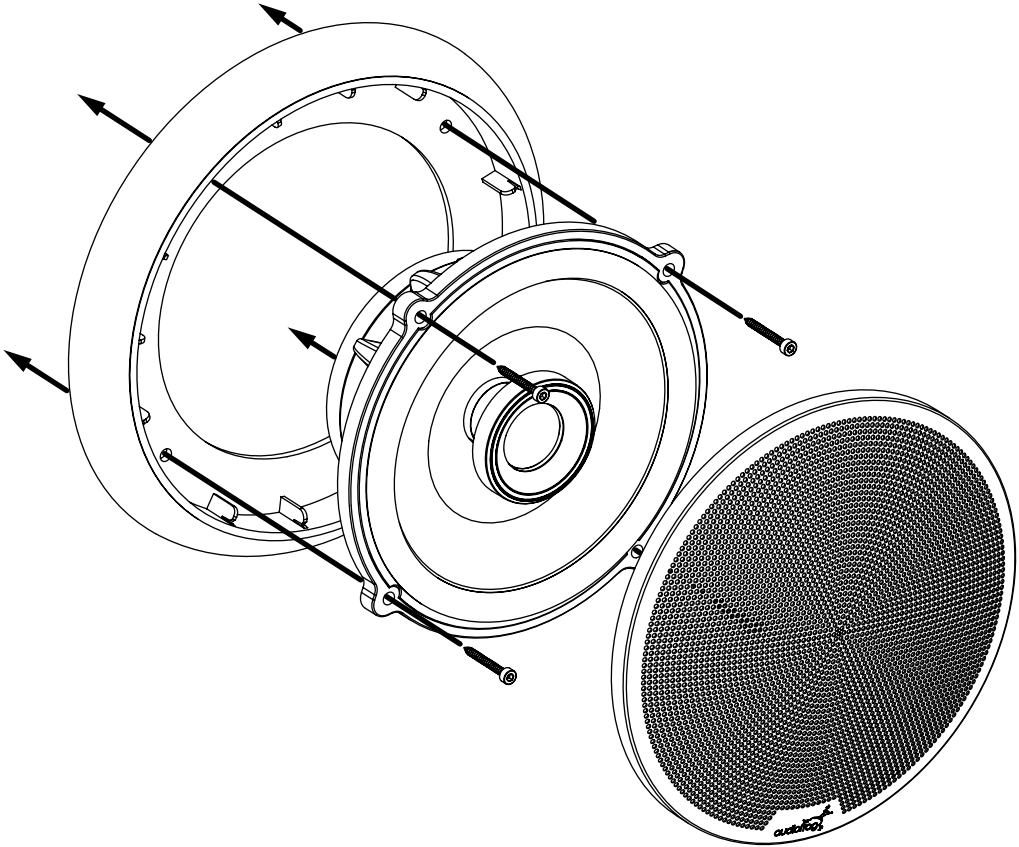
GS693



GS62



GS42
GS62
GS693



GS42

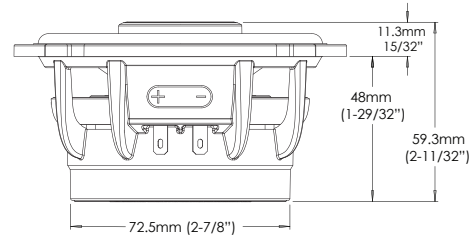
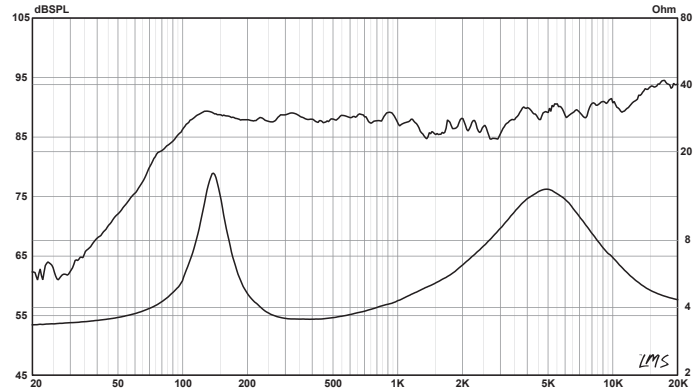
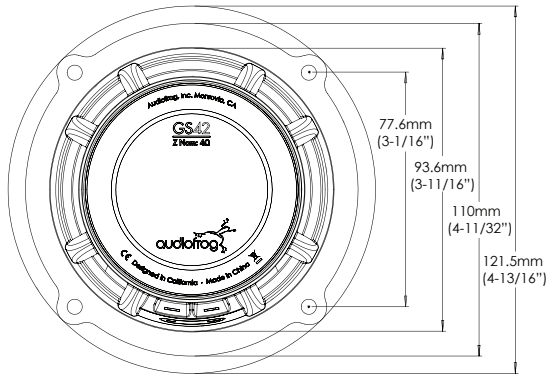


Technical Specifications • Spécifications Techniques • Especificaciones Técnicas • Technische Daten • Технические характеристики • Especificações Técnicas • Specifiche Tecniche • Tekniset Tiedot • Technische Specificaties • Tekniska Specifikationer • Tekniske Specifikationer • Teknik Özellikler • Dane Techniczne • Spesifikasi Teknis • 技术规格



15-75 Watts

Recommendations • Recommendations • Recomendaciones • Empfehlung • Рекомендация • Recomendação • Raccomandazione • Suositus • Aanbeveling • Rekomendation • Anbefaling • Tavsiye • Rekomendacja • Rekomendasi • 推荐



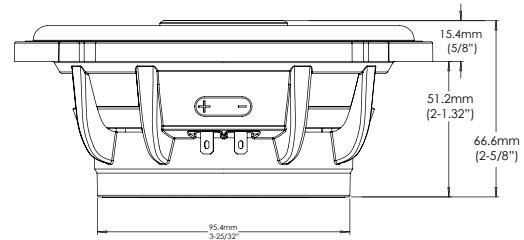
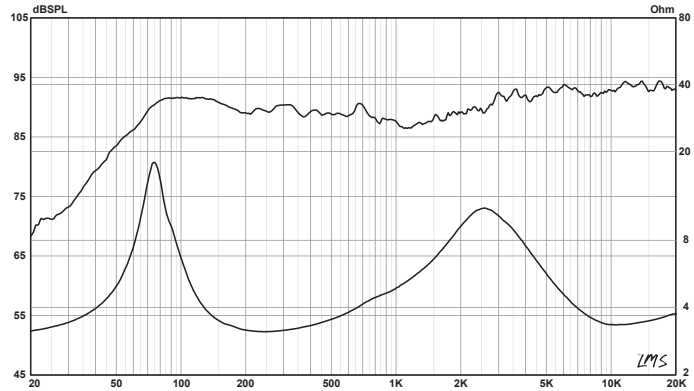
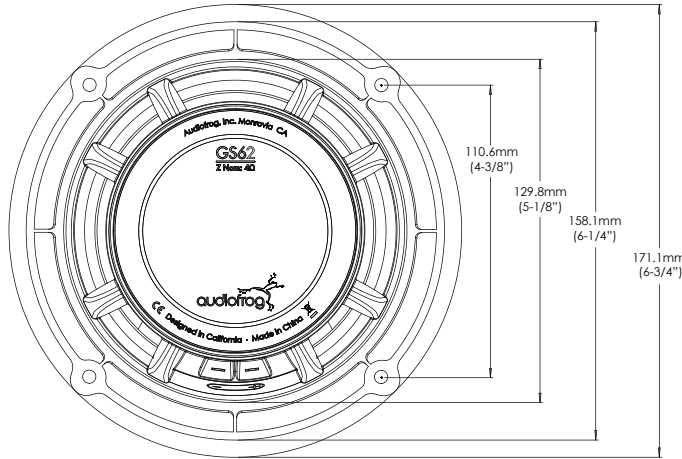
GS62



Technical Specifications • Spécifications Techniques • Especificaciones Técnicas • Technische Daten • Технические характеристики • Especificações Técnicas • Specifiche Tecniche • Tekniset Tiedot • Technische Specificaties • Tekniska Specifikationer • Tekniske Spesifikationer • Teknik Özellikler • Dane Techniczne • Spesifikasi Teknis • 技术规格



Recommendations • Recommendations • Recomendaciones • Empfehlung • Рекомендация • Recomendação • Raccomandazione • Suositus/Aanbeveling • Rekomendation • Anbefaling • Tavsiye • Rekomendacja • Rekomendasi • 推荐



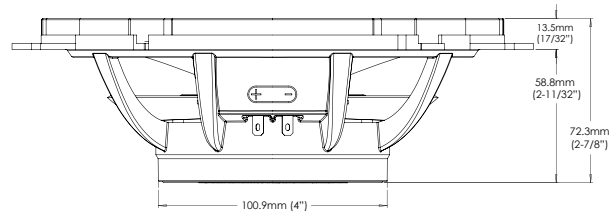
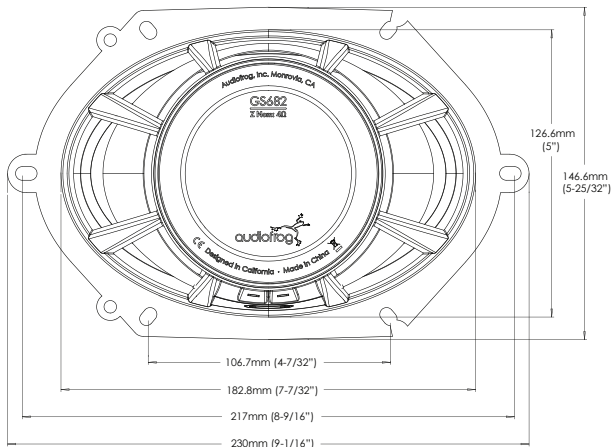
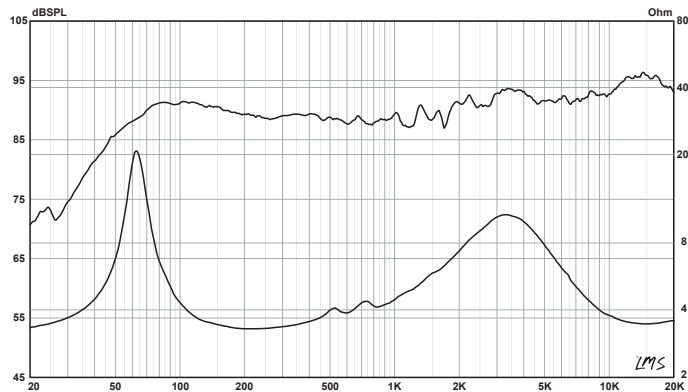
GS682



Technical Specifications • Spécifications Techniques • Especificaciones Técnicas • Technische Daten • Технические характеристики • Especificações Técnicas • Specifiche Tecniche • Tekniset Tiedot • Technische Specificaties • Techniska Specificationer • Tekniske Spécifikationer • Teknik Özellikler • Dane Techniczne • Spesifikasiasi Teknis • 技术规格



Recommendations • Recommendations • Recomendaciones • Empfehlung • Рекомендация • Recomendação • Raccomandazione • Suositus/Aanbeveling • Rekomendation • Anbefaling • Tavsiye • Rekomendacja • Rekomendasi • 推荐



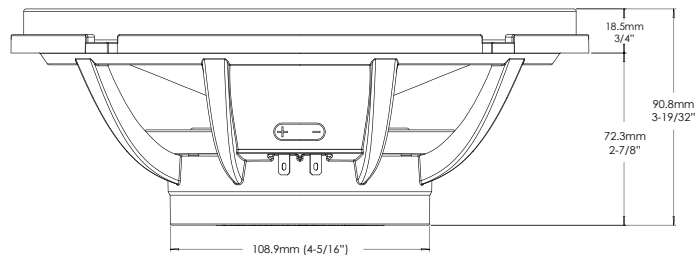
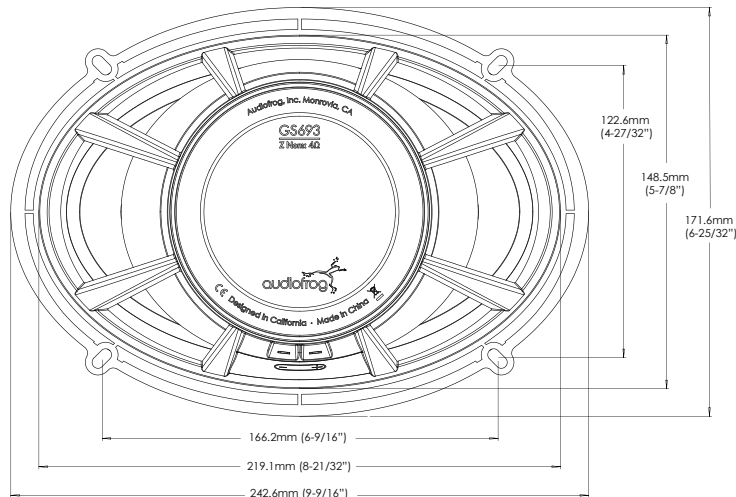
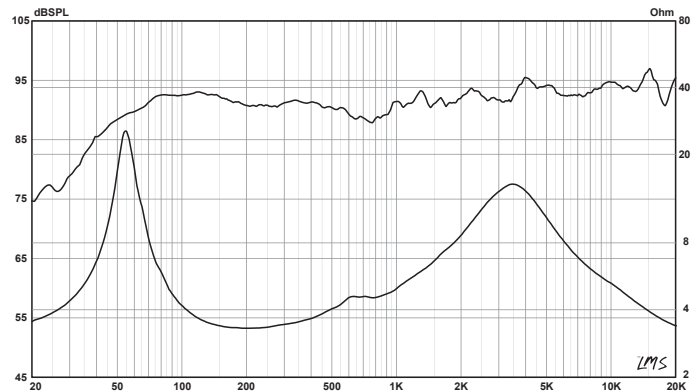
GS693



Technical Specifications • Spécifications Techniques • Especificaciones Técnicas •
 Technische Daten • Технические характеристики • Especificações Técnicas •
 Specifiche Tecniche • Tekniset Tiedot • Technische Specificaties • Techniska Specifikationer •
 Tekniske Specifikationer • Teknik Ozellikler • Dane Techniczne • Spesifikasi Teknis • 技术规格



Recommendations • Recomendations • Recomendaciones • Empfehlung •
 Рекомендация • Recomendação • Raccomandazione • Suositus/Aanbeveling •
 Rekomendation • Anbefaling • Tavsiye • Rekomendacja • Rekomendasi • 推荐



GS42
GS62
GS682
GS693

	GS42	GS62	GS682	GS693
Revc (Ω)	2.33	2.28	2.35	2.31
Levc@1kHz (mH)	0.08	0.14	0.14	0.22
Sd (cm ²)	122.17	138.93	163	221
Mmd (g)	3.14	11.8	14.3	21.6
Mms (g)	4.19	12.75	15.54	23.46
Cms (μ M/N)	284.23	306.5	351.26	314
Vas (l)	6.05	8.45	13.33	21.9
Fs (Hz)	145.8	80.5	68	58.6
BL (TM)	3.06	4.4	4.05	5.43
Qms	5.74	6.33	6.66	8.64
Qes	0.995	0.76	0.95	0.68
Qts	0.82	0.67	0.83	0.63
Xmax,1-way linear (mm)	3.2	4	4	5
Voice Coil Diameter (mm)	25	25	25	25
Basket Displacement (l)	0.113	0.33	0.37	0.42

Limited Warranty--USA

Audiofrog GS Series products sold in the USA through authorized Audiofrog dealers are warranted to the original purchaser against defects in materials and workmanship for one year after the date of original purchase. They are covered for an additional year if they are installed by an authorized Audiofrog dealer. Please save your receipt. A valid receipt from an authorized Audiofrog dealer is required for warranty service. If you have purchased your GS Series products outside the USA, please consult your local distributor for warranty terms and conditions.

Audiofrog, Inc.
1703 S. Magnolia Ave.
Monrovia, CA 91016
www.audiofrogusa.com

Audiofrog and the Audiofrog logo are trademarks of Audiofrog, Inc, registered in the United States and/or other countries. Audiofrog et le logo sont des marques est une marque commerciale de Audiofrog, Inc déposée aux États-Unis et/ou dans d'autres pays.